

Delivering leading edge, innovative power solutions for more than 30 years....

Model:GT-83083-0505-USB-W2C

September 25, 2020

## Level VI Power Supply / Charger, 5v, 1.0A, for China with integral USB Jack

### Information

#### Model Number

GT-83083-0505-USB-W2C

#### Description

GT-83083-0505-USB-W2C, ITE Power Supply, Wall Plug-in, AC/DC Switching Adapter with USB Power Supply AC Adaptor, , Input Rating: 100-240V~, 50-60Hz, China GR 2099 configuration: 2 pins, Class II, Output Rating: 5 Watts, Power rating with convection cooling (W) , 5V in 0.1V increments, Approvals: China RoHS; Double Insulation; EAC; Level VI; RoHS; Ukraine; WEEE; CB 60950; LPS 60950; SIQ;

#### Model Picture



#### Agency Documents

<http://www.globtek.info/certs/GT-83083-USB-W2Z/>

#### CE EC-Declaration

[https://www.globtek.com/pdf/ec\\_declaration/a0Oa000000MEmwzEAD](https://www.globtek.com/pdf/ec_declaration/a0Oa000000MEmwzEAD)

#### RoHS/RoHS2 Declaration

[https://www.globtek.com/pdf/rohs\\_cert/a0Oa000000MEmwzEAD](https://www.globtek.com/pdf/rohs_cert/a0Oa000000MEmwzEAD)

#### REACH Declaration

[https://www.globtek.com/pdf/iso\\_certificates/REACH.pdf](https://www.globtek.com/pdf/iso_certificates/REACH.pdf)

#### Conflict Minerals Declaration

<https://www.globtek.com/pdf/conflict-minerals.pdf>

Delivering leading edge, innovative power solutions for more than **30** years....

Model:GT-83083-0505-USB-W2C

September 25, 2020

**MODEL PARAMETERS**

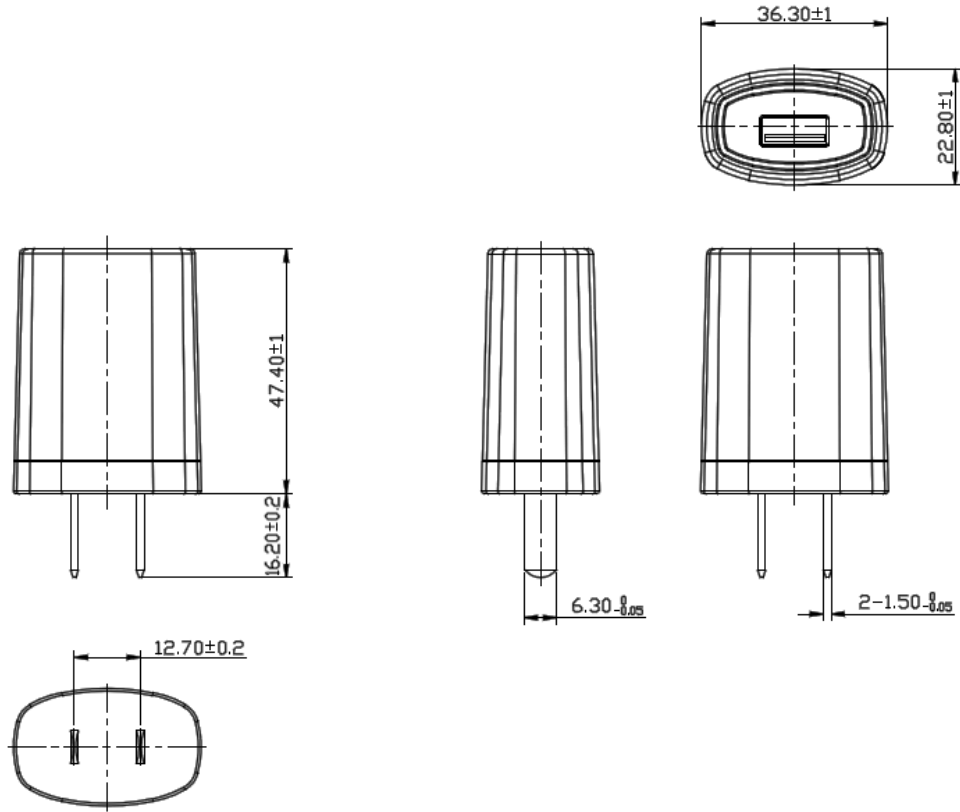
Type	Wall Plug-in
Technology	AC/DC Switching Adapter with USB Power Supply AC Adaptor
Category	ITE Power Supply
Input Voltage	100-240V~, 50-60Hz
I/P Amps (A)	0.2A
Wattage (W)	5.0
Vout Range (V)	5
Efficiency Level	USA DOE Level VI / Eco-design Directive 2009/125/EC, (EU) 2019/1782
Ingress Protection	
Size (mm)	47.4*36.0*22.5 +/-1.0

Delivering leading edge, innovative power solutions for more than 30 years....

Model:GT-83083-0505-USB-W2C

September 25, 2020

# ENCLOSURE



Delivering leading edge, innovative power solutions for more than **30** years....

Model:GT-83083-0505-USB-W2C

September 25, 2020

**RATING TABLE**

Model Number	Voltage	Amps(A)	Watts(W)	RFQ
GT-83083-0505-USB-W2C	5 V	1	5.00	<a href="#">RFQ</a>
GT-83083-0505-USB-W2C	6 V	0.83	4.98	<a href="#">RFQ</a>

Model:GT-83083-0505-USB-W2C

September 25, 2020

## SPECIFICATIONS

01. Input Voltage: Specified 90-264 Vac, Nameplate rated: 100-240Vac
02. Input Frequency: Specified 47-63 Hz, Nameplate rated 50-60Hz
03. Output Regulation: +/- 5% measured at the output connector measured at the end of a 0.6 meter USB cordset employing #22 Gauge conductors
04. Line Voltage Regulation: +/- 1% typical measured at the output connector measured at the end of a 0.6 meter USB cordset employing #22 Gauge conductors
05. Output Ripple (Vp-p): +/-1% or 100 mV whichever is greater measured at the end of a 0.6 meter USB cordset employing #22 Gauge conductors. Measured at 20 MHz bandwidth with 0.1 uf ceramic capacitor in parallel with 10 uf electrolytic capacitor connected at the end of the output connector.
06. Inrush Current: at full load, 25°C, cold start
07. Switching Frequency: 100 KHz typical, varies with line and load
08. Efficiency: 73.77% minimum at nominal input voltage average, Efficiency meet CEC V, ERP : 2009/125/EC

### B) PROTECTION

01. Over-current protection: 1.5A maximum with auto-recovery function
02. Over-voltage protection: 10VDC maximum with zener clamp
03. Short-circuit protection: The adapter shall not be damaged by short the DC output to Ground.

### C) SAFETY

01. Dielectric Withstand Voltage: Primary To Secondary: 3000VAC 10mA 1minute or 4242VDC 10mA 1minute
02. Leakage Current: 20uA maximum, at nominal AC input voltage and frequency
03. ESD Immunity per EN61000-4-2, ±8 kV contact, ±15 kV air, Perf Criteria A Standard.

### D) OTHER:

01. MTBF: 200,000 Hours @ 25°C ambient temperature
02. Operating Temperature: 0°C to 50°C ambient temperature
03. Operating Humidity: 20 ~ 85 % RH. non-condensing
05. Storage Temperature: -20°C to 60°C
06. Storage Humidity: 5 ~ 95 % RH. non-condensing
07. Cooling: Cooling shall be with natural convection cooling
08. RoHS 2: Complies with EU 2011/65/EU China SJ/T 11364-2014

### E) ENCLOSURE

01. Housing: High impact plastic, 94V0 polycarbonate, non-vented
02. Markings: Label and/or Pad Printed and/or Molded in the case

Delivering leading edge, innovative power solutions for more than **30** years....

Model:GT-83083-0505-USB-W2C

September 25, 2020

## DERATING CURVE

---

Delivering leading edge, innovative power solutions for more than 30 years....

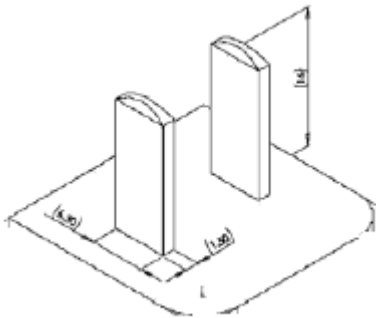
Model:GT-83083-0505-USB-W2C

September 25, 2020

### INPUT CONFIGURATION

Description China GR 2099 configuration: 2 pins, Class II

The standard for Chinese plugs and sockets is set out in GB 2099.12008 and GB 10022008. As part of China's commitment for entry into the WTO, the new CPCS (Compulsory Product Certification System) has been introduced, and compliant Chinese plugs have been awarded the CCC Mark by this system. The plug is two conductor, non-earthed, rated at 10 A, 250 V and used for Class II applications. The Australian plug fits, though the pins on the Chinese plug are thinner and 1 mm (0.039 in) longer. China also uses American/Japanese NEMA 115 sockets and plugs for Class-II appliances. The voltage at a Chinese socket of any type is 220.



Delivering leading edge, innovative power solutions for more than 30 years....

Model:GT-83083-0505-USB-W2C

September 25, 2020

**OUTPUT CONFIGURATION**

Common output connector options:


 L Type (Coaxial  
5.5x2.5mm plug)

 C Type (Coaxial  
5.5x2.1mm plug)

 K Type (Coaxial  
3.5x1.3mm plug)

 LL Type (5.5x2.5mm  
Locking 760k type)

 CL Type (5.5x2.1mm  
Locking S761k type)

 ML2 Type (Molex  
housing 43025-0200)

 YL3 Type  
(KPPX-3P)


YL4 Type (KPPX-4P)


 EJ1/2/3/4/5 (EIAJ  
RC-5320A type  
connectors)

 MSB Type (Micro  
USB)

 USBC Type (USB  
Type C)

 Inquire for custom  
design

 For a comprehensive list of options, [click here](#)

Contact GlobTek for your specific requirements or custom solutions.










Delivering leading edge, innovative power solutions for more than 30 years....

Model:GT-83083-0505-USB-W2C

September 25, 2020

## Approvals

Logo	Description
	Attention Mark / Refer to operating manual for operating and service instructions
No Logo Applicable	CB report 60950-1 2nd Ed
	CHINA SJ/T 11364-2014, China RoHS Chart: <a href="http://en.globtek.com/globtek-rohs.php">http://en.globtek.com/globtek-rohs.php</a>
	Declaration ДС № EAЭC N RU Д-US.KA01.B.10453_19 Custom Union of Russia, Belarus and Kazakhstan <a href="http://www.globtek.com/redirect/?loc=gost-certificate-eac-declaration">http://www.globtek.com/redirect/?loc=gost-certificate-eac-declaration</a>
	Indoor Use Only - Mark is on the label or Molded in the case
EFFICIENCY LEVEL 	Efficiency: complies to section 301 of Energy Independence and Security Act (EISA) complies with Energy Star tier 2 (North America), ECP tier 2 (China), MEPS tier 2 (Australia), Code of Conduct (Europe)
LPS	Limited Power Source 60950
RoHS	Specifications of directive 2011/65/EU Annex VI (ROHS-2) with amendment 2015/863-EU (ROHS-3) <a href="http://www.ce-mark.com/Rohs%20final.pdf">http://www.ce-mark.com/Rohs%20final.pdf</a>
 IEC/EN60950-1	SIQ Mark License EN60950-1
 10276	Ukraine UKRSepto (Document: <a href="http://www.globtek.com/html/iso_certificates/GT_Ukraine.pdf">www.globtek.com/html/iso_certificates/GT_Ukraine.pdf</a> )

Delivering leading edge, innovative power solutions for more than **30** years....

Model:GT-83083-0505-USB-W2C

September 25, 2020



WEEE: Complies with EU 2012/19/EU (  
[http://ec.europa.eu/environment/waste/weee/index\\_en.htm](http://ec.europa.eu/environment/waste/weee/index_en.htm))  
Mark is on the label or Molded in the case